



# YOSHIMURA

RESEARCH&DEVELOPMENT OF AMERICA, INC.

5420 DANIELS STREET STE A, CHINO CA., 91710 · (800)634-9166 · (909)628-4722 · FACSIMILE (909)591-2198

[www.yoshimura-rd.com](http://www.yoshimura-rd.com)

## **YOSHIMURA PERFORMANCE EXHAUST SYSTEM**

**KAWASAKI**

**2009**

**NINJA650/ER6N**

**1440265**

STAINLESS STEEL SLIP-ON WITH STAINLESS STEEL TRS



ACTUAL PRODUCT MAY VARY FROM IMAGES.



**THIS PRODUCT IS DESIGNED FOR USE IN CLOSED COURSE RACING AND IS NOT INTENDED FOR HIGHWAY USE.**



NOTE: IN THE STATE OF CALIFORNIA, IT IS ILLEGAL TO MODIFY THE EMISSION CONTROL SYSTEM, WHICH INCLUDES THE FUEL INJECTION OF ANY VEHICLE.

**Caution:** Exhaust system can be extremely hot. Let motorcycle cool down before beginning installation. Always wear hand and eye protection and take precautionary measures to avoid injury.

**Note:** Read through all instructions before beginning installation.

## Tools Needed:

Metric Socket Set  
Ratchet and Extension  
Metric Combination Wrench Set  
Metric Allen Wrench Set  
Torque Wrench

## Installation Steps:

1. Remove stock muffler.
  - Remove lower right cowl. (Note: ER6N does not require cowl removal)
  - Loosen stock muffler clamp.
  - Remove header bolts and remove header.  
Note: Header must be removed to provide clearance for stock muffler removal.
  - Remove plastic right rearset cover and rearset.
  - Remove two bolts and remove under belly muffler
2. Install Yoshimura Slip-on
  - Reinstall right rearset and cover.
  - Re-install stock header.
  - Insert rubber grommet and spacer into Yoshimura bracket. (See parts diagram for orientation)
  - Remove rear master cylinder bolts. (Fig. 1)
  - Insert Yoshimura bracket behind the master cylinder. Bolt together using supplied bolts and nuts. (Fig. 2)
  - Torque master cylinder bolts to 12 lb-ft ( 16.5 N-m ).
  - Insert supplied collector clamp over Yoshimura tailpipe.
  - Install muffler using supplied bolt and washer.
  - Torque muffler clamp to 14 lb-ft ( 18.5 N-m ).
  - Torque muffler mounting bolt to 18 lb-ft ( 23.5 N-m ). (Fig. 3)
3. Check for proper clearance between new exhaust system and motorcycle. (i.e. Swing-arm, body work, etc.) If any problem is found, please carefully follow through the installation steps again. If problem still persists, please call Yoshimura technical department at (800)634-9166 / in CA (909)628-4722.

**Note:** After starting motorcycle, it is normal for new exhaust system and muffler to smoke until oil residue burns off.



Fig. 1

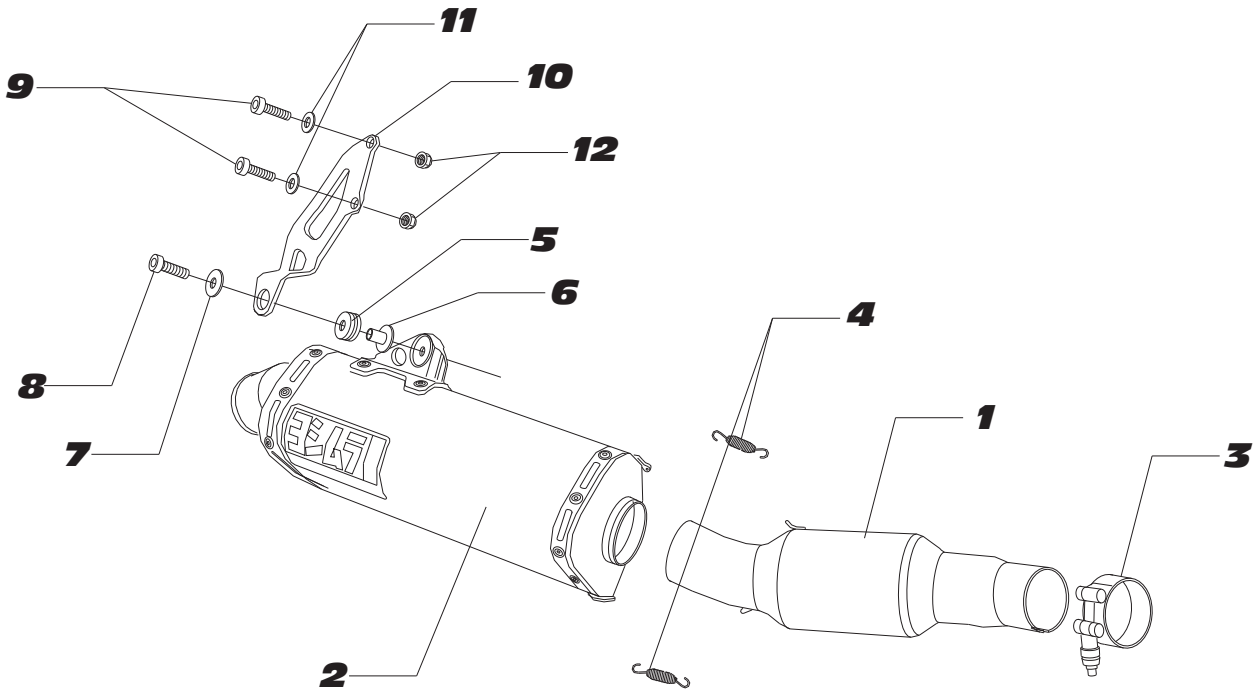


Fig. 2



Fig. 3

**#1440265**



**S=STOCK**

Parts Diagram

| NO. | DESCRIPTION                                       | QTY | PART #      |
|-----|---|-----|-------------|
| 1   | Yoshimura Tailpipe                                | 1   | 1440-435    |
| 2   | Yoshimura TRS Muffler<br>with Stainless Steel TRS | 1   | 1435265-RMA |
| 3   | Collector Clamp                                   | 1   | 22059       |
| 4   | Small Exhaust Spring                              | 2   | RACE-SPX-1  |
| 5   | Rubber Grommet                                    | 1   | Z1021       |
| 6   | Aluminum Spacer                                   | 1   | ALS-003     |
| 7   | 8mm Washer Large                                  | 1   | 8MMWASHERL  |
| 8   | 8mm X 25mm Socket Head Bolt                       | 1   | M8X25       |
| 9   | 8mm X 45mm Socket Head Bolt                       | 2   | M8X45-FT    |
| 10  | 1440 Muffler Bracket                              | 1   | 1440-BKT    |
| 11  | 8mm Washer  | 2   | 8MMWASHER   |
| 12  | 8mm Lock Nut                                      | 2   | 8MMLN       |
| **  | Spring Puller Tool                                | 1   | ST-200      |
| **  | Low Volume Insert                                 | 1   | TRS-INS-BK  |
| **  | Yoshimura Vinyl Sticker                           | 1   | 17029       |