



**AKRAPOVIČ SLIP-ON & SLIP-ON STREET LEGAL EXHAUST SYSTEM  
for  
YAMAHA YZF R6 (2003 - 2005)**

**Congratulations on purchasing an Akrapovič exhaust system. Please read this installation instructions carefully. If you have any trouble with installing the system please contact your authorized dealer!**

**IMPORTANT INFORMATION**

**Exclusion of Certain Liability**

1. The manufacturer, importer or dealer shall not be liable for any incidental damage including personal injury or any other damages caused by improper installation or operation of the Akrapovič exhaust system. When installing the Akrapovič exhaust system be careful that the exhaust system does not touch other parts sensitive to high temperature.
2. Akrapovič makes no representation or warranties with regard to damage caused by the improper installation, use and maintenance of the Akrapovič exhaust system. The warranty is limited to defects recognized by our technical department and to normal use, and excludes items subject to normal wear (gaskets and damping wool). The guarantee is invalidated in case of accident, modification, improper or competition use.
3. Do not attempt to install the Akrapovič exhaust system on a motorcycle for which it was not made or tested by Akrapovič.
4. When the exhaust system gets very hot during operation, be careful not to burn yourself on the exhaust system or parts which are in direct contact with it, even when the motor is not running. Also protect other people, especially children, from the injuries mentioned above.
5. In some cases Akrapovič exhaust system kits contain chemical products (ceramic anti-seizing grease; bolt sealant). Handle with care, do not inhale or swallow. Avoid excessive contact with skin, eyes or mucous membranes. Keep out of the reach of children.
6. Technical specifications of Akrapovič exhaust systems and related products subject to change without notice.

**Trademarks**

The Akrapovič Exhaust System Technology logo is a registered trademark of Akrapovič d.d.

**Akrapovič web site**

Information about Akrapovič exhaust systems and related products is available on the Akrapovič web site at:  
**<http://www.akrapovic-exhaust.com/>**

**Copyright**

No part of the Akrapovič exhaust system or its documentation may be reproduced or distributed in any form or by any means without the prior written authorization of the Akrapovič company.


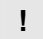
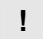
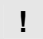

© Akrapovič d.d. All rights reserved.

**Symbols**

The following symbols are used throughout this installation instructions:



## INSTALLATION INSTRUCTIONS

- |   |   |
|---|---|
|  | <b>BEFORE INSTALLING CHECK SCHEMATIC OF THE EXHAUST SYSTEM!</b>   |
|  | <b>IF ANY ITEMS IN THE AKRAPOVIC EXHAUST SYSTEM PACKAGE ARE MISSING PLEASE CONTACT YOUR AUTHORIZED DEALER. KEEP THE SCHEMATIC FOR FUTURE REFERENCE.</b>                             |
|  | <b>THESE INSTALLATION INSTRUCTIONS MUST BE READ CAREFULLY IN ORDER TO ENSURE PROPER INSTALLATION AND OPERATION OF THE AKRAPOVIC EXHAUST SYSTEM.</b>                                 |
|  | <b>THE EXHAUST SYSTEM CAN BE EXTREMELY HOT. ALLOW THE MOTORCYCLE TO COOL DOWN BEFORE BEGINNING INSTALLATION.</b>  |
|  | <b>WE ADVISE YOU TO LEAVE INSTALLATION TO A QUALIFIED SERVICEMAN. IMPROPER INSTALLATION MAY RESULT IN A SHORTER LIFETIME OF THE EXHAUST SYSTEM AND/OR DAMAGE TO THE MOTORCYCLE.</b> |

### REMOVAL OF STOCK EXHAUST SYSTEM

1. put the motorcycle on a side stand, we recommend a racing stand
2. unscrew the bolt from the muffler chassis hanging bracket (**Figure 1**)
3. unscrew the bolt from the metal clamp at the link pipe - collector joint (**Figure 2**)
4. remove the bolt from the muffler chassis hanging bracket and remove the muffler with the link pipe (**Figure 3**)

### INSTALLATION OF THE AKRAPOVIĆ EXHAUST SYSTEM

#### **installing the independent link pipe:**

1. coat the bolt and interior side of the metal clamp with Akrapovic anti-seize lead-free copper paste (black tube)
2. correctly position and install the metal clamp onto the link pipe (**Figure 4**)
3. slide the link pipe onto the stock collector – do not tighten fully the metal clamp (**Figure 5**)
4. attach the spring to the stock cowling distance bracket at the link pipe – collector joint (**Figure 6, 7**)
5. make sure the link pipe is not touching the frame and other parts

#### **installing the muffler:**

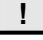
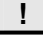
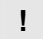
1. **for titanium link pipe only:** coat the interior side of the inlet cap with Akrapovic ceramic anti-seizing grease (white tube)
2. position the muffler correctly and slide it onto the outlet side of the link pipe (**Figure 8**)
3. attach the springs at the muffler - link pipe joint (**Figure 9**)
4. correctly position the carbon-fiber clamp and slide it onto the muffler - bear in mind the left offset of the carbon-fiber clamp viewed from the rear. **WARNING:** open the clamp to slightly wider than the diameter of the outer sleeve of the muffler – do not scrape it along the muffler outer sleeve! (**Figure 10**)
5. tighten the carbon-fiber clamp onto the stock chassis hanging bracket (**Figure 11**)
6. make sure the muffler is not touching other parts of the motorcycle

#### **final installation:**

1. tighten fully the carbon-fiber clamp onto the stock chassis hanging bracket and metal clamp at the Akrapovic link pipe – stock collector joint (**Figure 12, 13**)
2. position of the installed Akrapovic Slip-on system (**Figure 14, 15**)
3. clean grease spots:
  - a. muffler – titanium outer sleeve: use a soft cloth sprayed with a multi-purpose spray lubricant (WD-40 or equivalent)
  - b. muffler – carbon-fiber outer sleeve: use a soft cloth
  - c. stainless steel link pipe: use a soft cloth sprayed with a contact cleaner, then wipe with a soft dry cloth
  - d. titanium link pipe: use a soft cloth sprayed with a multi-purpose spray lubricant (WD-40 or equivalent)

Cleaning will prevent spots from burning onto the surface. Do not use aggressive chemical cleaners, because they can damage the sticker.

**Check the operation of the brakes and suspension. Make sure all the bolts are sufficiently tightened. In case the exhaust system touches the cowling or other parts repeat the adjustment of the exhaust system or contact your authorized dealer.**

- |   |   |
|---|---|
|  | <b>IT IS NORMAL IF WHITE SMOKE COMES OUT OF THE MUFFLER ON FIRST OPERATION.</b>   |
|  | <b>DO NOT STAND BEHIND THE MUFFLER ON FIRST OPERATION.</b>  |
|  | <b>DO NOT USE AUTOMOTIVE WHEEL CLEANERS OR ANY CLEANING PRODUCTS WHICH CONTAIN ACIDIC ADDITIVES TO CLEAN AKRAPOVIC EXHAUST SYSTEMS.</b> |

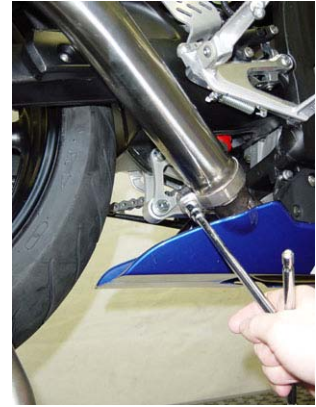
### MAINTENANCE OF THE AKRAPOVIĆ EXHAUST SYSTEM

1. Clean the titanium muffler outer sleeve with a multi-purpose spray lubricant (WD-40 or equivalent ) and carbon fiber outer sleeve with soft and dry cloth. Do not use aggressive chemical cleaners, because they can damage the sticker. A change in the color of the exhaust system is normal due to the high temperatures.
2. The wearing out of the muffler damping material depends on the type of the motor and riding style. Contact your dealer/serviceman if visible changes appear on muffler's outer sleeve or the noise level is increased.
3. Periodically check if all the bolts and springs are sufficiently tight.

**Photos:**



**Figure 1**



**Figure 2**



**Figure 3**



**Figure 4**



**Figure 5**



**Figure 6**



**Figure 7**



**Figure 8**



*Figure 9*



*Figure 10*



*Figure 11*



*Figure 12*



*Figure 13*



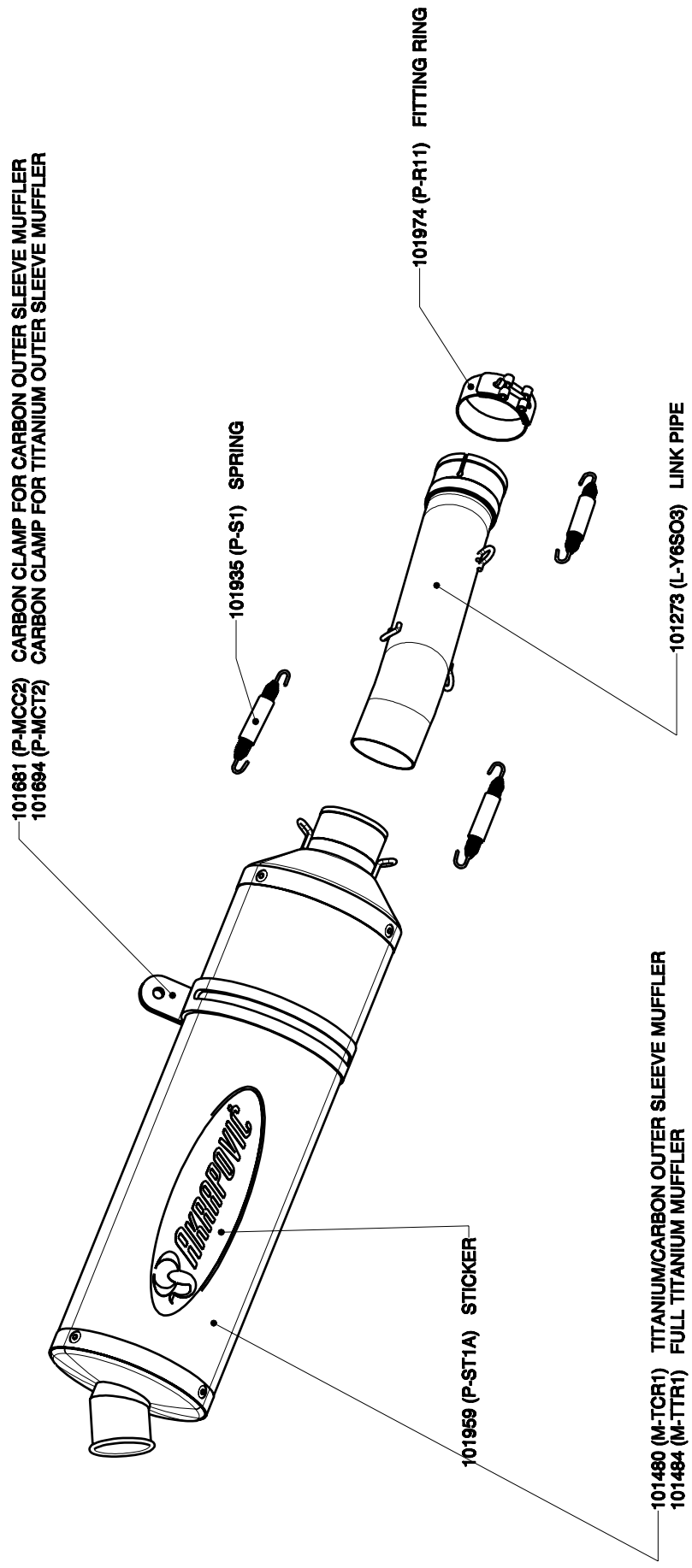
Figure 14



Figure 15

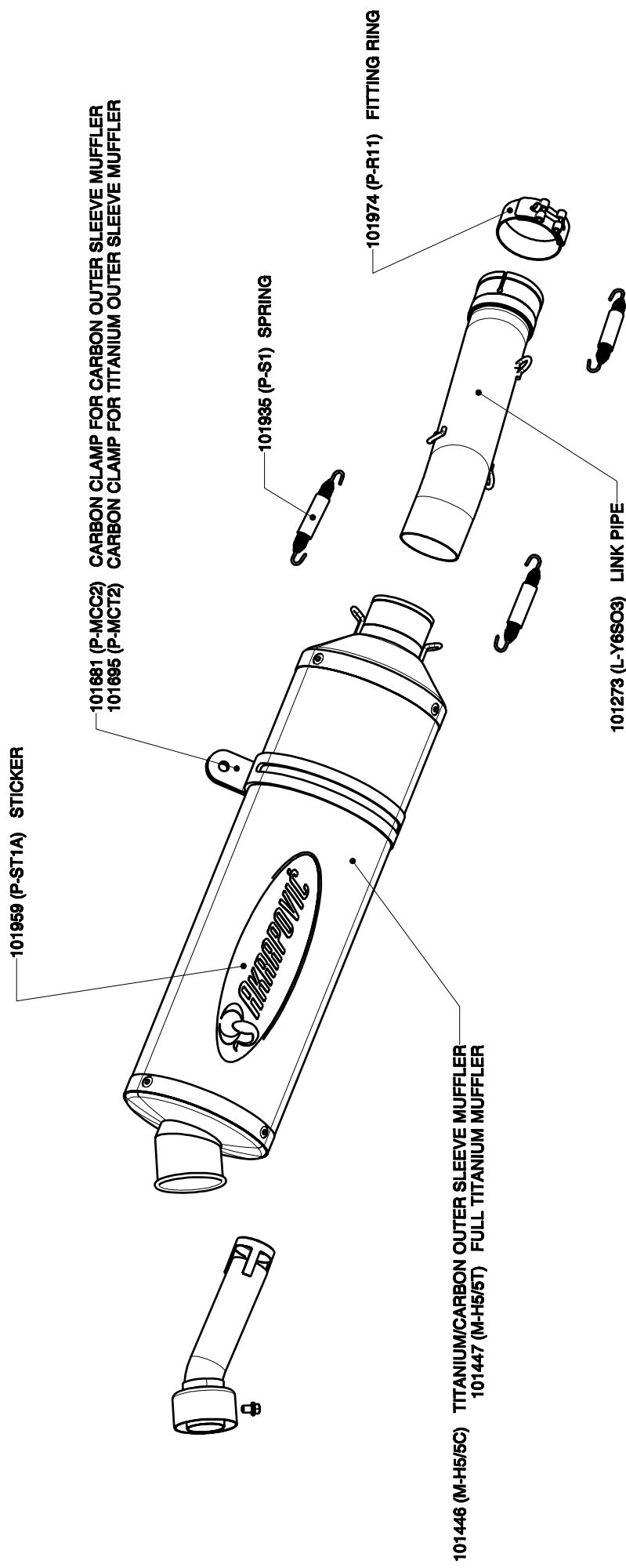
YAMAHA YZF R6 Slip-on system, model year: 2003-05

Product code: 100448 (S-Y6SO3-C)  
100449 (S-Y6SO3-T)



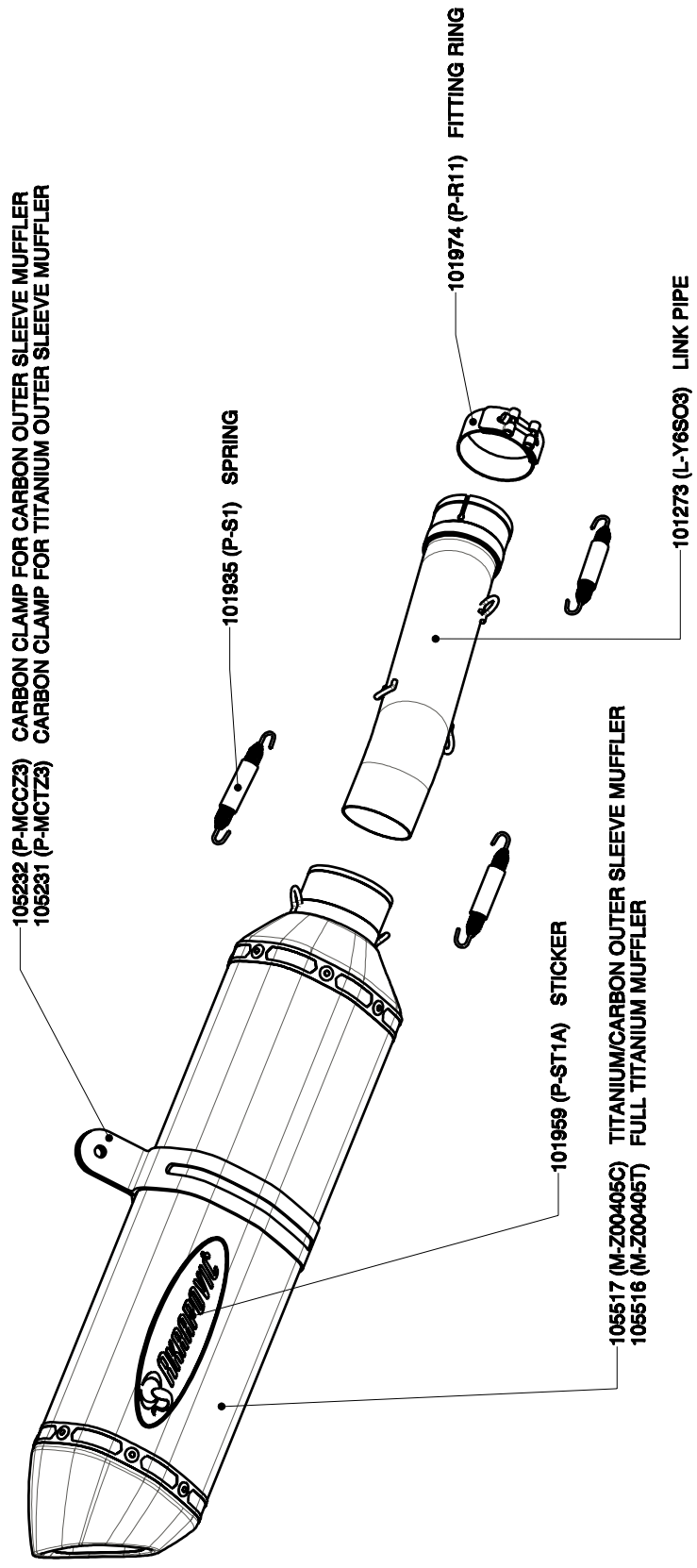
YAMAHA YZF R6 Homologated Slip-on system, model year: 2003-2005

Product code: 102465 (S-Y6SO3-HC)  
102466 (S-Y6SO3-HT)



YAMAHA YZF R6 Slip-on system, model year: 2003-05

Product code: 105519 (S-Y6SO3-ZC)  
105518 (S-Y6SO3-ZT)





YAMAHA YZF R6, Slip-on system, model year: 2003-2005, STREET LEGAL

Product code: 105580 (S-Y6SO3-HZC)  
105579 (S-Y6SO3-HZT)

